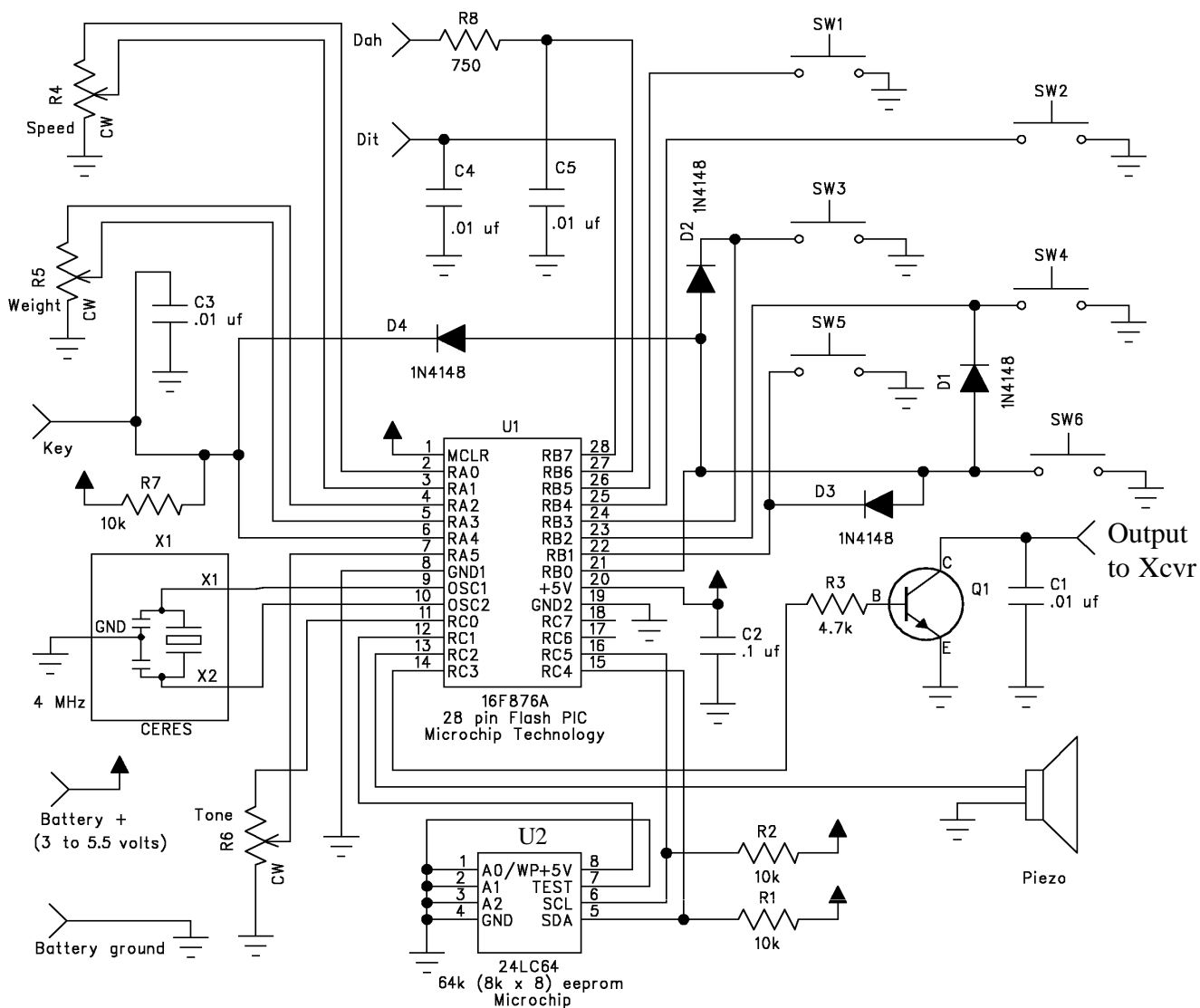
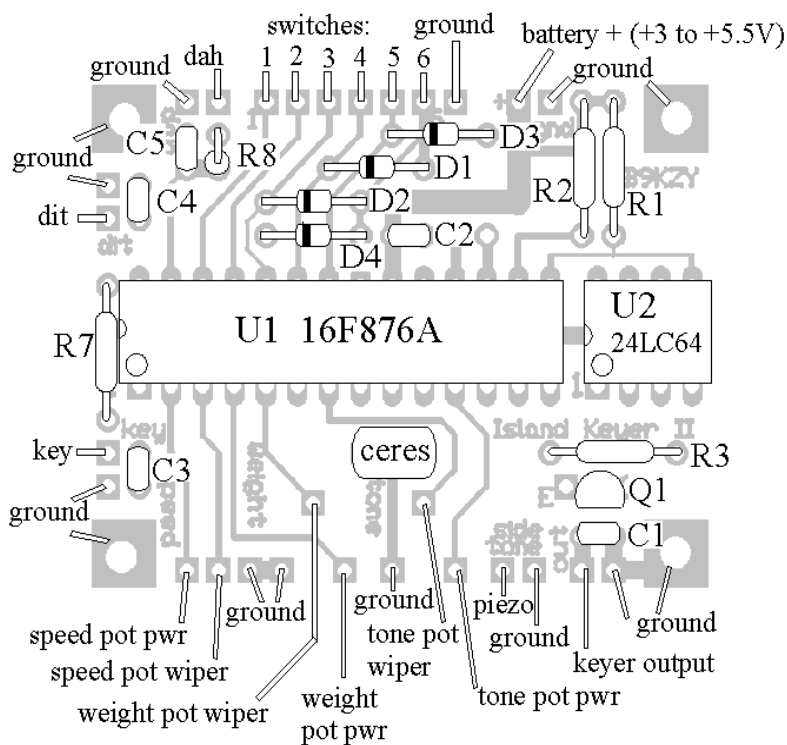


Island Keyer II Schematic Diagram



Parts placement diagram - top view



Jackson Harbor Press
<http://jacksonharbor.home.att.net/>
jacksonharbor@att.net

Bottom view of Circuit Board

