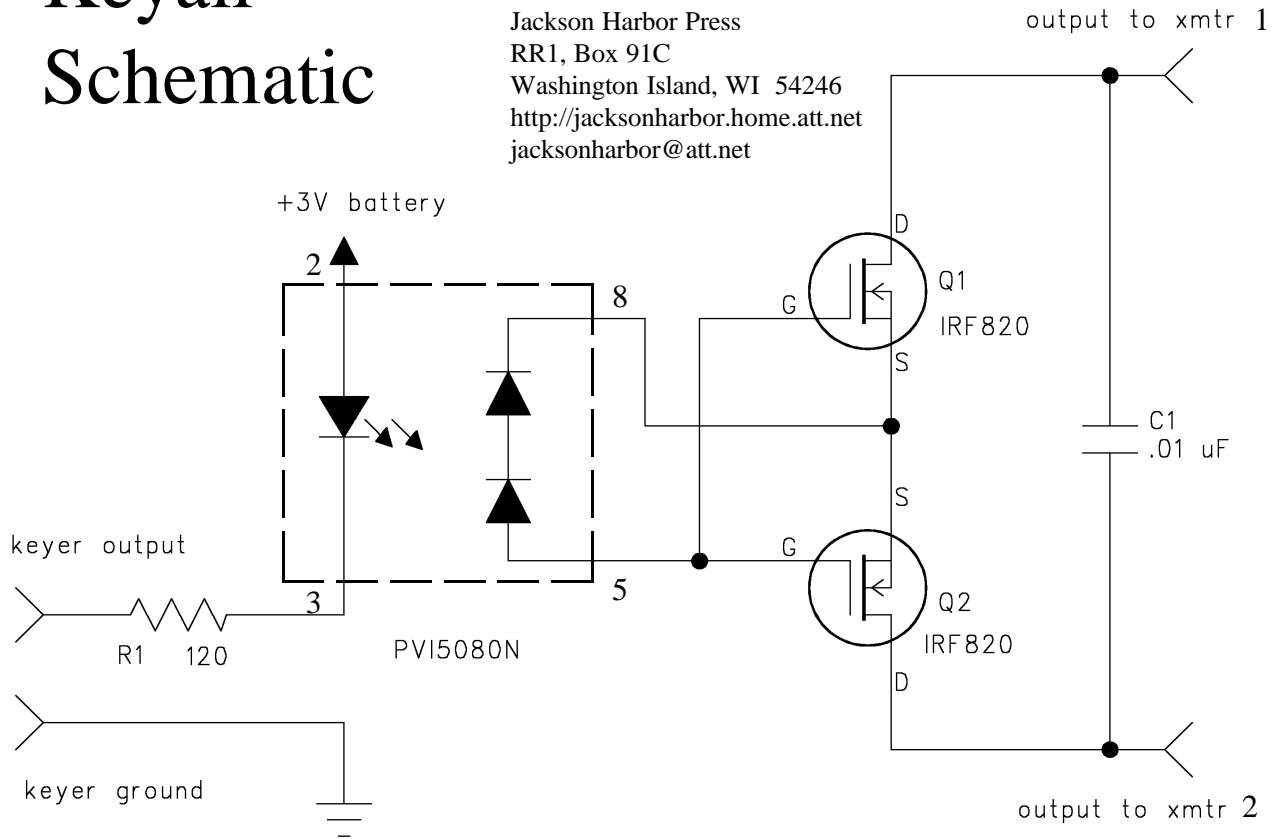
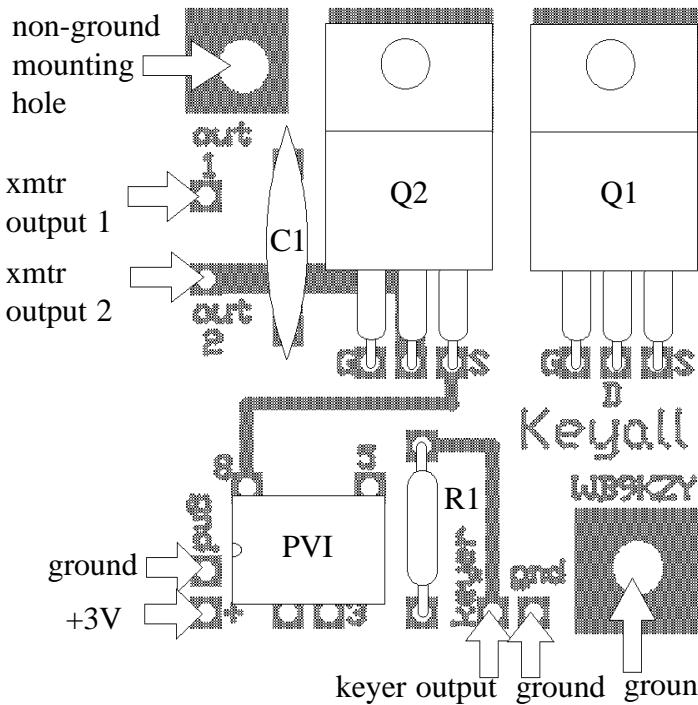


Keyall Schematic

Jackson Harbor Press
 RR1, Box 91C
 Washington Island, WI 54246
<http://jacksonharbor.home.att.net>
jacksonharbor@att.net



Circuit Board Top View Parts Placement Diagram



Circuit Board Bottom View

