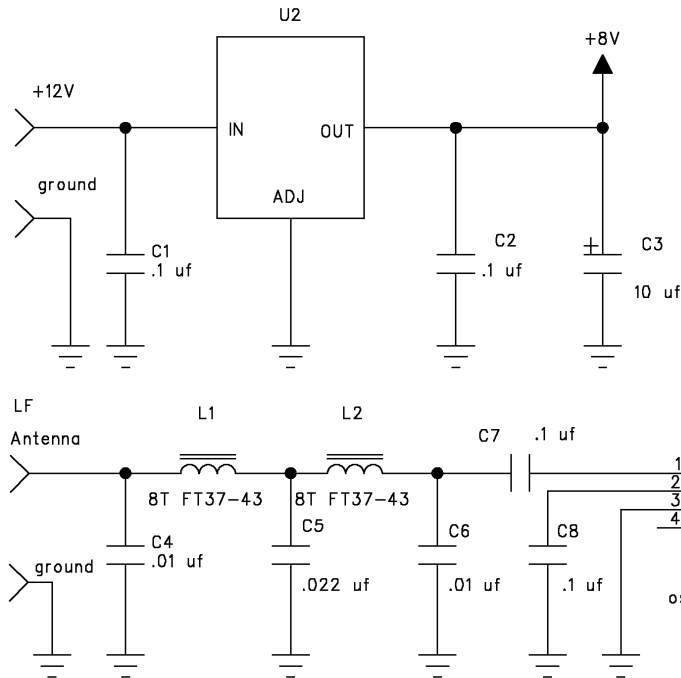
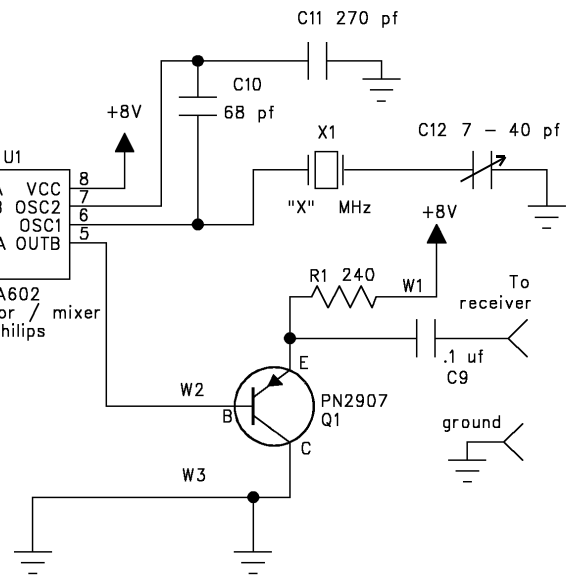


LF Converter Schematic Diagram

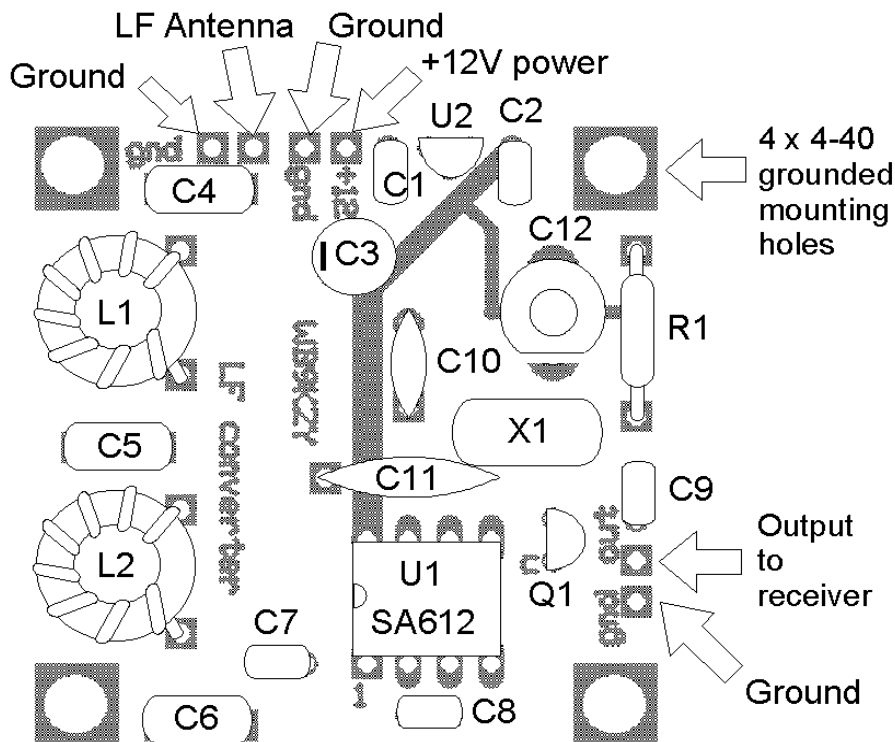


Jackson Harbor Press
 RR1, Box 91C
 Washington Island, WI 54246
<http://jacksonharbor.home.att.net/>
jacksonharbor@att.net



Parts Placement Diagram

Top view of circuit boards



Bottom view of circuit board

